

PRODUCT SERVICE NUMBER

1800 805 300

600mm Ceramic Cooktop

MODEL: **ICC6GE2**



Dear Customer,

Congratulations on your purchase this new touch control cook top. We wish you many years of satisfaction and use of this appliance.

Please read this manual thoroughly to familiarise yourself with the installation, operation and care of the cook top. Ensure you keep this manual for future reference.

Safety

Safety instructions

Please comply with these instructions. If you do not, any damage or fault will not be covered under the warranty.

- This appliance is not intended for use by persons (including children) with reduced physical, sensory or mental capabilities, or lack of experience and knowledge unless they have been instructed or under supervision concerning use of this appliance by a person responsible for their safety.
- Do not leave the appliance unattended during operation.
- This appliance should only be used for cooking and frying of food in a domestic situation.
- This appliance is to be installed indoors only.
- This appliance must not be used as a work surface or as a storage surface.
- It is not permitted to make additions or modifications in any way to this appliance.
- Do not place or store flammable liquids, materials or fusible objects, such as plastic film, on, near or under this appliance.

Children's safety

- ALWAYS keep small children away from the appliance. The cook top surface will become hot during cooking.
- The appliance is not intended for use by young children or infirm persons without supervision.
- Children should be supervised to ensure they do not play with this appliance.
- Activating the Childproof lock is recommended to avoid small children and pets from unintentionally switching the appliance on.

General safety

- The appliance must only be installed and connected by a trained and registered electrician.

Safety

- This appliance can only be operated when installed into suitable built-in units and work surfaces meeting local standards.
- Should there be damage to the ceramic glass surface, such as cracks, or any faults to the appliance it must be switched off and disconnected from the electrical supply to prevent the possibility of electrical shock. An authorised service agent should be contacted immediately.
- Any repairs are to be only carried out by trained and registered service technicians.
- Cables from electrical appliances should not touch the hot surface of the appliance.
- If the appliance is used carelessly, there is a risk of burns. Do not place any metal objects on the cooking surface.
- Ensure all cooking zones are switched off after use. Activation of Childproof lock is recommended.
- Ensure proper cookware is used on the ceramic glass surface. Use of aluminum or copper based cookware can cause pitting of the ceramic glass surface. Ensure all cookware have flat bases, uneven or damaged based cookware can cause damage to the surface and not work efficiently.
- Ensure objects are placed carefully on the cooktop surface. Do not drop or scrape cookware or objects across the ceramic glass surface as damage or breakage could occur. The edge of the ceramic glass can be damaged should care not be taken.
- Do not use the cooking zones with empty cookware or absence of cookware.
- Do not allow saucepans or frying pans to boil dry. Damage to both the cookware and ceramic glass surface could occur.
- Clean spills as soon as possible after the appliance is switched off and cooled. Food spills with high sugar content in particular should be removed as soon as possible the ceramic glass surface.
- A scraper, suitable for ceramic glass will remove stubborn spills and use of a silicon based cleaner / protector, such as Hillmark' s CERAPOL, is recommended for removal of residuals.

Safety Features

1 High temperature protection

The temperature sensor mounted on the radiant electric element monitors the temperature inside the cook top from time to time. When an excessive temperature is detected, the element will be directly disconnected and stop power output. As a result this may seem as though the element is not working all the time. The element cycles on and off due to the heat retained in the ceramic glass surface and maintains a constant temperature based on the selected settings chosen . This ensures that there is reduced risk of food burning or damage occurring to the cook top.

Safety Features

2 Residual heat indicators

After using the cook top, residual heat remains in the cooking zone. The digital display shows the code “H”, warning to stay away from the cooking zone .

3 Auto shut off protection

During use, the cook top will shut off automatically a cooking zone when the default working time is reached, for that selected power level. The time is based on no adjustment being made to either power or timer setting for the cooking zone. If several cooking zones are working simultaneously, the cook top will automatically shut off any zone that reaches it's default time. The default working time for various power levels are shown in the table below.

Power level	1	2	3	4	5	6	7	8	9
Default working time(hour)	8	8	8	4	4	4	2	2	2

Installation

1 Preparation of bench top

Cut hole into bench top according to the sizes shown in the figure 1.

For the purpose of installation and use, a minimum of 50 mm space is required from rear wall and 75mm to any side vertical surface from the cutout hole. Bench top should be at least 30mm in thickness.

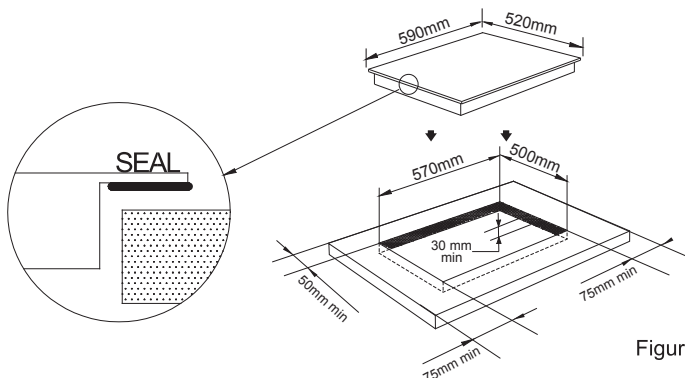


Figure (1)

2 . Fitting of Heat Shield

When the cook top is installed where the base can be touched, a heat shield needs to be fitted. This shield must be affixed at least 20mm from the lower part of the cook top. Refer to Figure 2. Holes drilled into the heat shield will lower the risk of overheating of the cook top. The holes should be approximately 25mm in diameter and number around 25.

When installing the cook top above an oven the heat shield is not required.

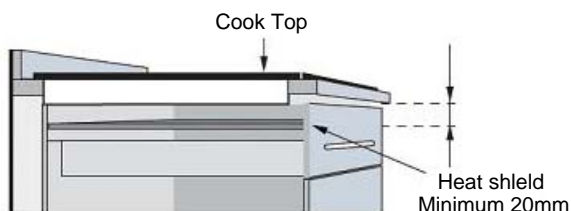


Figure (2)

3 Electrical connection

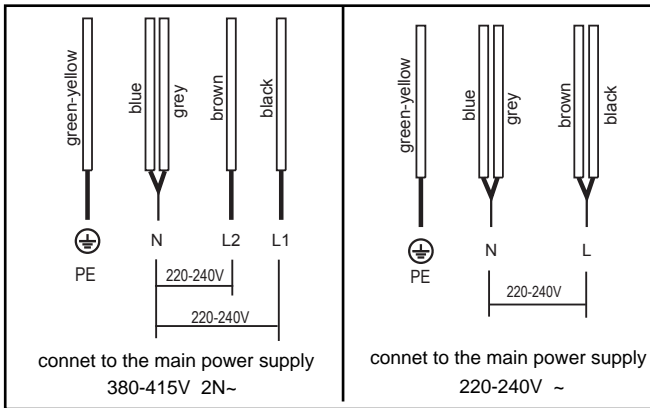
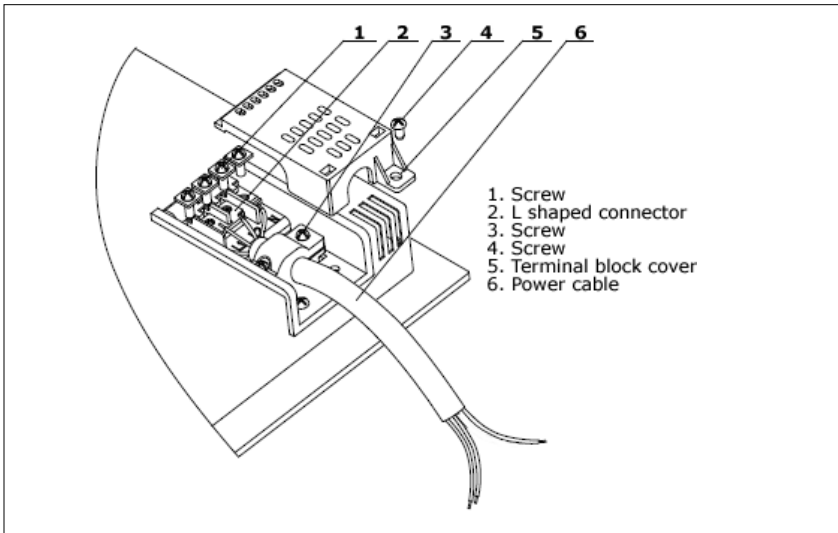
Important electrical installation instructions

- The ceramic cook top must be installed by a trained and registered electrician.
- The ceramic cook top must not be mounted above cooling equipment, dishwashers or rotary dryers.
- Any walls surrounding the cooktops are to be heat resistant up to 90°C, up to 150mm high, for example, ceramic tiles.
- A heat shield must be fitted where access to the underside of the cook top is possible. Refer to point 2 under Installation section.

The cook top is to be hardwired to the terminal block located in the centre of the underside of the cook top.

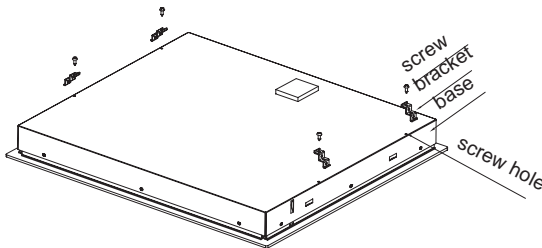
The electrical installer must ensure that the cook top is installed and complies to relevant local wiring rule requirements. The method of connection is shown in Figure (3).

The ICC6GE2 is rated at 6.0kW. Minimum 25 amp connection required.

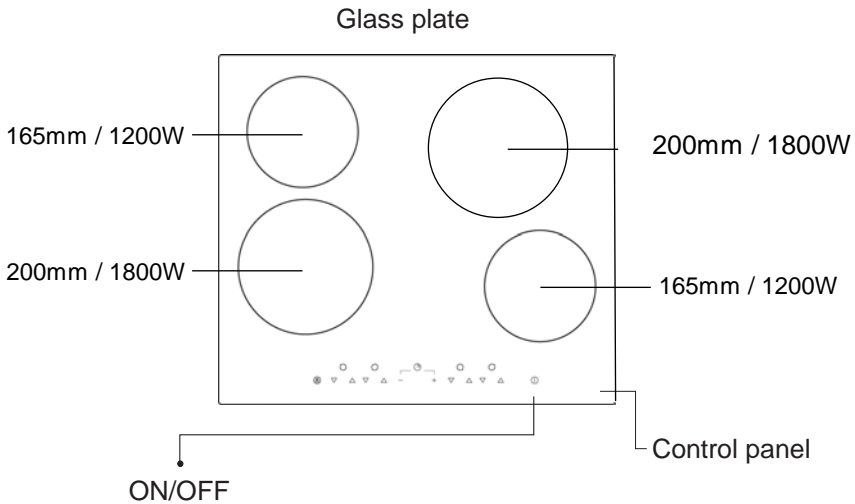


4 Fixing cook top to the bench top

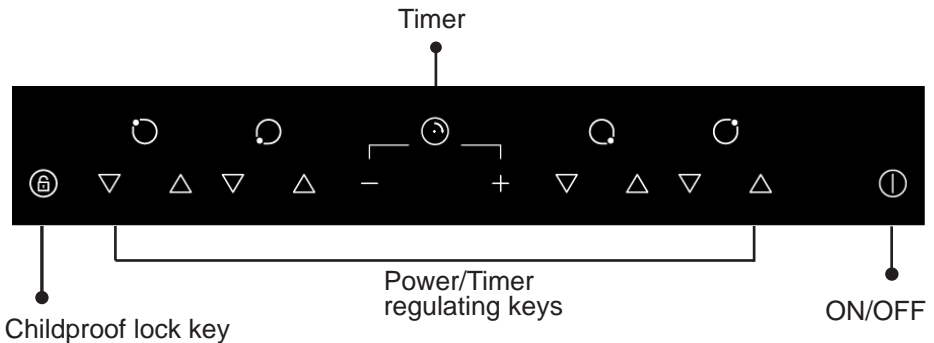
Fix the cook top to the bench top by screwing the four brackets on the bottom of cook top (see picture) after installation. Adjust the bracket position to suit for different bench top thicknesses.



The ceramic cook top appearance



Description of the control panel



Instructions for Use

Suitable cookware

■ Generally most types of cookware are suitable for this ceramic cooktop. Aluminium and copper based pots are not recommended to be used on ceramic glass cook tops due to the possibility of pitting to the glass surface. If these type of cookware have a sandwich of stainless steel that rests on the ceramic glass there is no risk of damage.

- All cookware should have flat bottom bases. Uneven or damaged based cookware can cause damage to the surface and may not perform efficiently as expected.
- Pushing the cookware across the ceramic glass surface is not recommended as this can create scratches to the glass surface.
- Match diameter of cookware to the cooking zone selected. This will ensure the most efficient performance from the cooktop possible.

Preparation before using

After connecting to power, the buzzer will sound once, all the indicators will light up for 1 second then go out, indicating the cook top is ready for use and enters into standby mode.

Operation

Operation Instruction

Press the "ON/OFF" key, all the indicators will show " - ". Then you can set the heat setting of corresponding cooking zone.

Note: 1. When the "ON/OFF" key is pressed the cooking zone will restore to the standby mode if there is no heat setting selected within 2 minutes.

2. Every cooking zone is independent of each other.

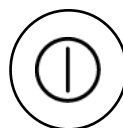
Timer function

Press the timer key, then the indicator flashes, and at this point, you can set time. Using the "+" and "-" keys, you can set the timer from 1 to 99 minutes. When the "+" key is pressed, the set time will increase by 1 minute; when the "-" key is pressed, the set time will decrease by 1 minute; when the set time exceeds 99 minutes, it will return to 0 minute automatically.

If you press the "timer" key, the indicator displays "0".

Timer confirmation:

1. Select the power level of the cooking zone, then press the "Timer" key, you can set the timer.
2. Once the timer indicator flashes for 5 seconds, the set time will be confirmed as valid automatically.
3. After selecting a set time, press the "Timer" key, to confirm the setting.



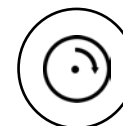
ON/OFF key



Decrease key



Increase key



Timer key

Operation

Childproof lock

To ensure the safety of children, the cook top is provided with the function of childproof lock.

Activating the childproof lock:

When the lock is deactivated, touch the “childproof lock” key to activate the childproof lock.

Deactivating the childproof lock:

When the cook top is in the locking mode, you can deactivate the childproof lock by holding the “childproof lock” key.



Childproof lock key

Cleaning and Maintenance

Safety warning

- For safety reasons, it is NOT permitted to clean this appliance using high pressure or steam jet cleaning equipment.
- Cleaning should only be carried out with the appliance switched off and ceramic surface has cooled down.

Regular cleaning of the cook top should be done to help maintain the appearance and performance of your cook top.

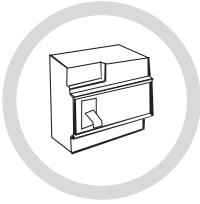
The normal method of cleaning is to use a damp cloth with some dishwashing liquid and wipe over the surface thoroughly. With another dry cloth rub down the cooktop surface to dry it, Cleaning should be performed only after the cooktop has cooled.

A scraper, suitable for ceramic glass will remove stubborn spills and use of a silicon based cleaner / protector, such as Hillmark’s CERAPOL, is recommended for removal of residuals. The scraper should be used at an angle to ensure no possible damage is made on the cooktop.

Removal of stubborn residues such of food containing sugars or melted on tin foil and plastic should be done so immediately, prior to the cook top surface cooling completely to ensure easier removal.

NOTE: Dark stains and scratches cannot be removed from the ceramic glass surface, nor do they affect cooktop functionality.

Safety Reminders and Maintenance



A dedicated power protection circuit should be incorporated in the fixed wiring in accordance with the wiring rules.



Never use the ceramic cook top in high temperature environments such as near a gas stove or kerosene stove.



Do not place any detergents or flammable materials in vicinity or near under the ceramic cook top.



For sealed foods such as canned goods, please do not heat them before opening them as there can be a danger of explosion due to heating expansion.



Do not place rough or uneven cookware, which may damage the ceramic surface.



If the surface is cracked, switch off the appliance to avoid the possibility of electric shock.



Never wash the ceramic cook top with water directly to avoid danger.



Never use the ceramic cook top without cookware or empty cookware, otherwise its operational performance may be affected and damage may occur.



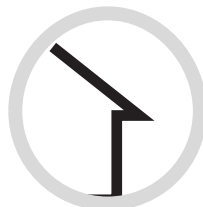
After being used for a long time, the corresponding cooking zone of the ceramic cook top is still hot. Never touch the ceramic surface to avoid burning.



Keep electrical appliance out of reach from children or infirm persons. Do not let them use the appliance without supervision.



DISPOSAL: Do not dispose this product as unsorted municipal waste. Contact your local council to enquire about correct disposal method.



Indoor use only.