

COOKTOPS

GAS
600



Colour:	Stainless Steel						
Model:	ICS6SG3						
Dimensions:	510mm (H) x 600mm (W) x 30mm (D)						
Cut Out Size:	490mm (H) x 560mm (W) x 30mm (D)						
Packaging:	<table border="0"> <tr> <td>Carton Size</td> <td>570mm (H) x 660mm (W) x 120mm (D)</td> </tr> <tr> <td>Carton Cubic metres</td> <td>0.055 cubic metres</td> </tr> <tr> <td>Carton Weight</td> <td>10.0 kg</td> </tr> </table>	Carton Size	570mm (H) x 660mm (W) x 120mm (D)	Carton Cubic metres	0.055 cubic metres	Carton Weight	10.0 kg
Carton Size	570mm (H) x 660mm (W) x 120mm (D)						
Carton Cubic metres	0.055 cubic metres						
Carton Weight	10.0 kg						

Electrical Connection: The appliance is fitted with a 100cm long flexible supply lead with three pin plug attached. The point of attachment is located at the rear and underside of the appliance.

Burners	Gas	Diameter Injectors	Operating Pressure (kPa)	Burner Rating (MJ)	Pan Diameter (CM)
Front left (wok)	Propane (LPG)	0,95	2,75	13.0	24-26
	Natural (NG)	1,60	1,00	13.0	
Front Right (auxillary)	Propane (LPG)	0,52	2,75	3.6	10-14
	Natural (NG)	0,80	1,00	3.6	
Rear left (semi rapid)	Propane (LPG)	0,65	2,75	6.0	16-18
	Natural (NG)	1,16	1,00	6.3	
Rear right (semi rapid)	Propane (LPG)	0,65	2,75	6.0	16-18
	Natural (NG)	1,10	1,00	6.3	

- Other:**
- Suitable for Natural gas and LPG – LPG jets supplied with appliance
 - AGA approved
 - Gas entry point at rear left hand underside of appliance, electrical connection right hand side rear of cooktop
 - Automatic under knob ignition

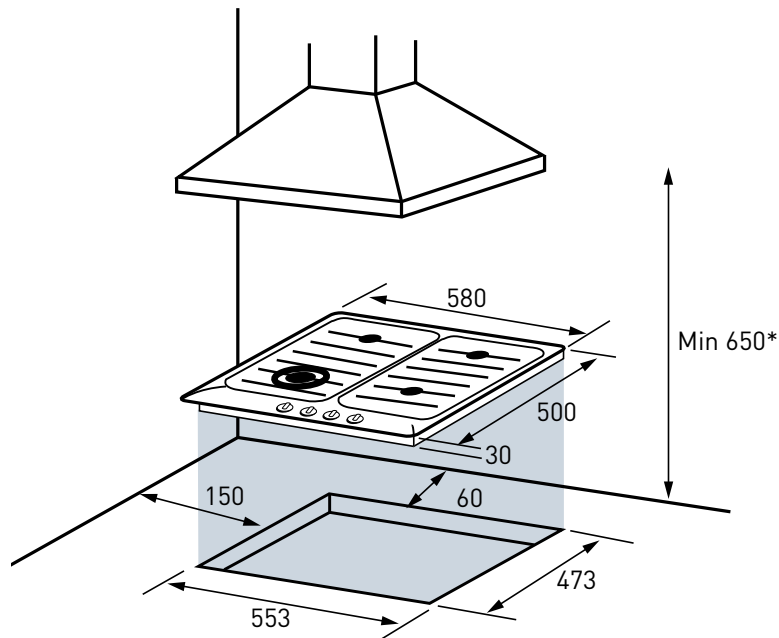
- Method of Installation:**
- Cut benchtop to dimensions as shown
 - Position the special sealing gasket (provided) on the edge of the cooktop making sure that the ends meet without one lying on top of the other
 - Put the cooktop in the benchtop opening making sure it is centred
 - Fasten the cooktop hob to the unit with the fastening brackets. The traction of the screws will be enough to cut the sealing gasket so that the excess can easily be removed.

Country of Origin: Italy

COOKTOPS

GAS
600

INSTALLATION INFORMATION



* Above cooktop highest point

All IAG Appliances have a complete 2-Year Warranty on parts and labour. Our Toll Free Customer Service Number 1800 805 300 provides helpful advice and ready access to a nationwide service team.



EXTENDED WARRANTY

All IAG electric or gas appliances for your kitchen are now available with an OPTIONAL full 5 year Parts and Labour Warranty. Visit www.iagappliances.com.au or call our Toll Free Customer Service Number 1800 805 300 for details.