




COOKING CENTRES

GAS
900



Colour:	Stainless Steel
Model:	IOC9SG3
Dimensions:	875 – 930mm (H) x 900mm (W) x 600mm (D)
Cutout Dimensions:	910mm (H) X 910mm (W) X 600mm (D) 5mm space required either side of the appliance
Oven Capacity:	 105 litres
Gas oven/Electric Grill thermostat at Knob:	 Rotate knob anticlockwise for min. to max. (260 C)  Rotate knob clockwise for electric grill
Oven Light Switch:	Total Kilowatts: 2025W
Maximum Amperage:	15amps
Electrical Connection:	Appliance is supplied with a 100cm long flexible lead. The point of attachment is located underneath the appliance.
Temperature Selection:	125 to 260 Celsius
Ventilation:	Front vented
Timer Knob:	This accessory functions as a 60 minute clock with a minute counter and buzzer notification at end of function
Tray Configuration:	2 x Oven shelf rack, 2 x trays, grill rack, grill pan handle
Other:	<ul style="list-style-type: none"> • Suitable for Natural gas, LPG & town gas – LPG jets come with appliance • A.G.A. approval • Gas entry point at rear on right hand side – 80mm from top & 35mm in from the side

* Not supplied with rotisserie, Europe only

www.iagappliances.com.au

SPECIALIST APPLIANCE SUPPLIER TO THE KITCHEN INDUSTRY

COOKING CENTRES

GAS
900

GAS COOKTOP

Burners	Gas	Diameter Injectors	Operating Pressure (kPa)	Burner Rating (MJ)	Pan Diameter (CM)
Front left (Rapid)	Propane (LPG)	0.88	2.75	10.0	20-22
	Natural (NG)	1.42	1.00	10.0	
Rear Right (Semi-rapid)	Propane (LPG)	0.73	2.75	7.2	16-18
	Natural (NG)	1.20	1.00	7.2	
Rear left (Semi-rapid)	Propane (LPG)	0.73	2.75	7.2	16-18
	Natural (NG)	1.20	1.00	7.2	
Front right (Auxillary)	Propane (LPG)	0.54	2.75	3.8	12-14
	Natural (NG)	0.90	1.00	4.0	
Centre (WOK)	Propane (LPG)	1.05	2.75	14.6	22-24
	Natural (NG)	1.75	1.00	15.0	

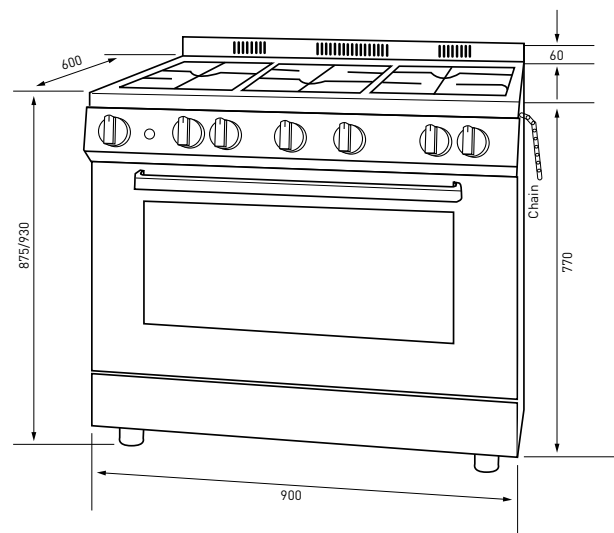
OVEN BURNERS

Burners	Gas	Diameter Injectors	Operating Pressure (kPa)	Burner Rating (MJ)	Air regulating sleeve Opening or rotation
Oven	Propane (LPG)	1.27	2.75	20.9	Complete (LPG)
	Natural (NG)	2.15	1.00	20.9	4 (N)

ELECTRICAL COMPONENTS

Description	Nominal Data
Grill heating element	2000 W
Oven lamp	15 W - E14 - T300
Power Cable	Cross section H05 RR-F3 x 1mm ²

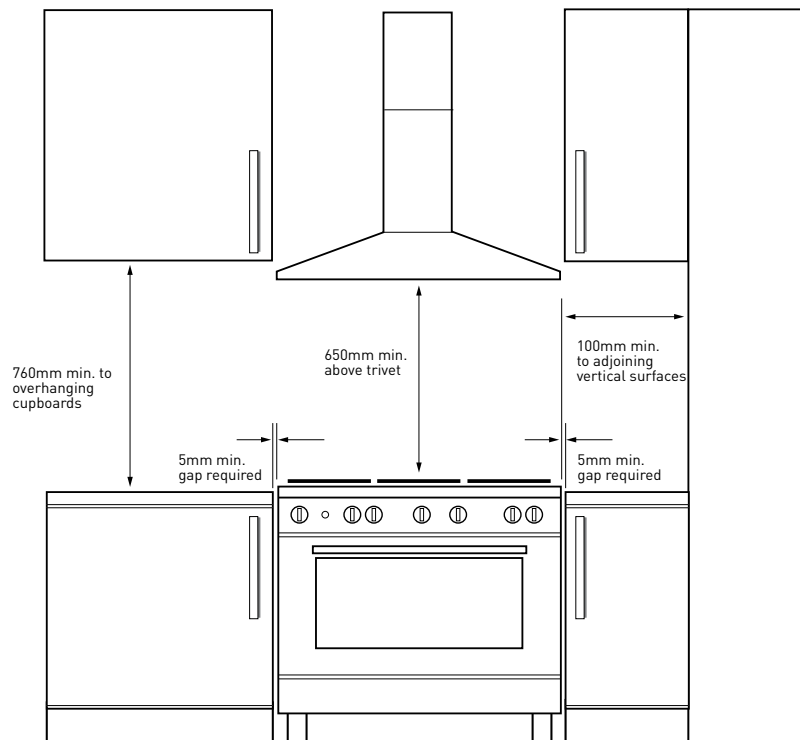
COOKING CENTRE DIMENSIONS



**COOKING
CENTRES**

GAS
900

**INSTALLATION
INFORMATION**



The above requirements must be adhered to. Failure to do so may lead voiding of warranty.

The IOC9SG3 is unable to be added in a plinth installation.

All IAG Appliances have a complete 2-Year Warranty on parts and labour. Our Toll Free Customer Service Number 1800 805 300 provides helpful advice and ready access to a nationwide service team.



EXTENDED WARRANTY

All IAG electric or gas appliances for your kitchen are now available with an OPTIONAL full 5 year Parts and Labour Warranty. Visit www.iagappliances.com.au or call our Toll Free Customer Service Number 1800 805 300 for details.