

## RANGEHOODS

FRONT  
RE-CIRCULATING  
SLIDEOUT  
RANGEHOOD  
600



<b>Colour:</b>	Stainless Steel
<b>Model:</b>	IRR6SE1
<b>Dimensions:</b>	161mm (H) x 597mm (W) x 280mm (D) (+20mm for front panel)
<b>Controls:</b>	Rocker switches - 1 for light and 1 for speed control
<b>Control speeds:</b>	2 control speeds
<b>Airflow:</b>	385m <sup>3</sup> /hr
<b>Sound Level:</b>	Max. 62 dB
<b>Lamps:</b>	2 x 50 watt halogen
<b>Grease filter:</b>	1 x aluminium with charcoal inlay (Require cleaning as least once a month)
<b>Ducting:</b>	Top & Rear - Recommended ducting available through our spare parts provider Doug Smith Spares, ph 02 8868 6700 or <a href="http://www.dougsmithspares.com.au">www.dougsmithspares.com.au</a> .*
<b>Ducting Hole:</b>	285mm x 95mm
<b>Re-circulating:</b>	Front re-circulating through vents located at front of unit. Fitted with 80mm Stainless Steel front panel to ensure air does not go directly into users face.
<b>Minimum Height Above Cooktop:</b>	Gas: 650mm Electric: 600mm
<b>Method of Installation:</b>	Built into overhead cupboard
<b>Power Requirement:</b>	240 / 50Hz
<b>Power cord:</b>	Australian moulded fully insulated

\* The IRR6SE1 is recommended for front re-circulating installation. We recommend our URO6SE1 for ducting installation.

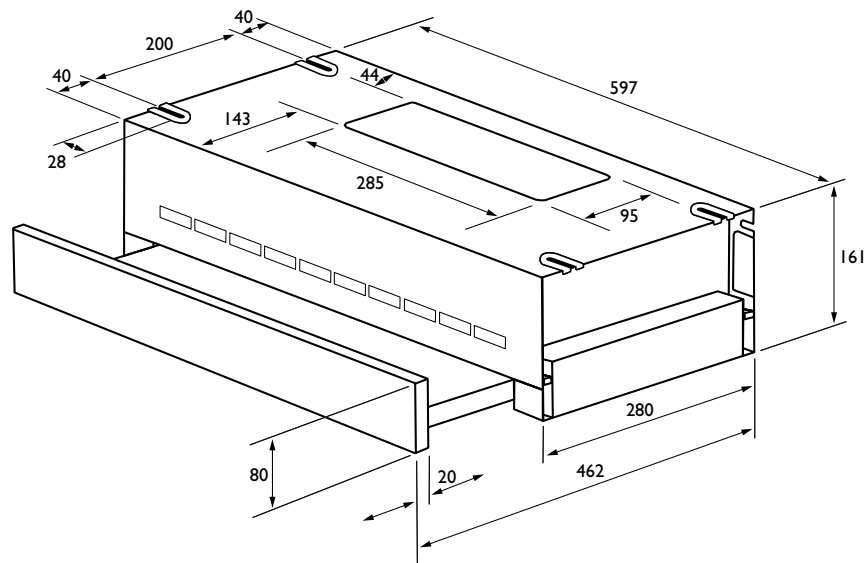
**RANGEHOODS**

FRONT  
RE-CIRCULATING  
SLIDEOUT  
RANGEHOOD  
600



Picture depicting front recirculating vents.

**RANGEHOOD  
DIMENSIONS**



All ARC Appliances have a complete 2-Year Warranty on parts and labour. Our Toll Free Customer Service Number 1800 805 300 provides helpful advice and ready access to a nationwide service team.



**EXTENDED WARRANTY**

All ARC electric or gas appliances for your kitchen are now available with an **OPTIONAL** full 5 year Parts and Labour Warranty. Visit [www.arcappliances.com.au](http://www.arcappliances.com.au) or call our Toll Free Customer Service Number 1800 805 300 for details.