

**LAUNDRY TUB**

SINGLE BOWL



**Colour:** Stainless Steel

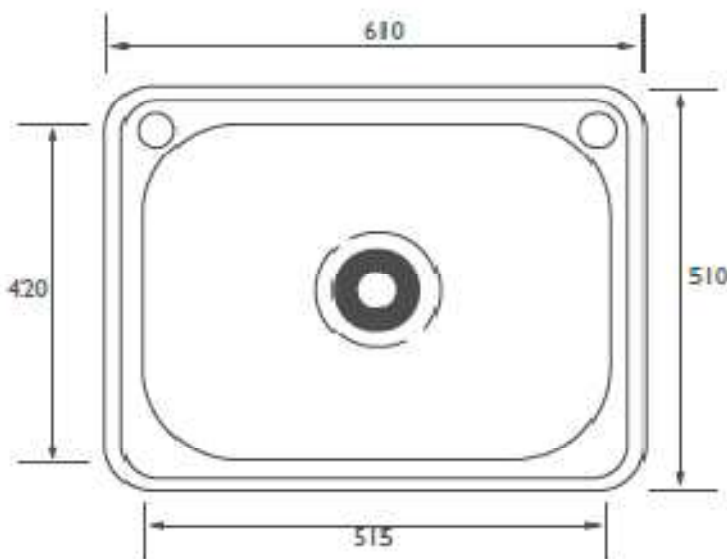
**Model:** ISLTS1

**Dimensions:** 240mm (H) x 610mm (W) x 510mm (D)

**FEATURES:**

- High quality 18/10 Stainless Steel
- Designer Plug and Waste
- Laser Cut Edge
- Supplied with Bypass for drain hose from washing machine

TWO YEAR  
**2**  
WARRANTY



[www.integratedappliancegroup.com.au](http://www.integratedappliancegroup.com.au)