

CI6SE1

60cm INDUCTION COOKTOP

Features

- 4 cooking zones with boosters
- Ceramic glass cooking surface
- Front Touch Controls with red display
- 9 power settings for each zone
- 99 minute timer
- Beveled edge
- Child lock
- Overflow protection
- Residual heat indicators

2 Year Warranty

Zone Power Output (W)

- Front Left: 1200W (Booster – 1500W)
- Back Left: 2300W (Booster – 2600W)
- Front right: 2300W (Booster – 2600W)
- Back Right: 1200W (Booster – 1500W)

Power:

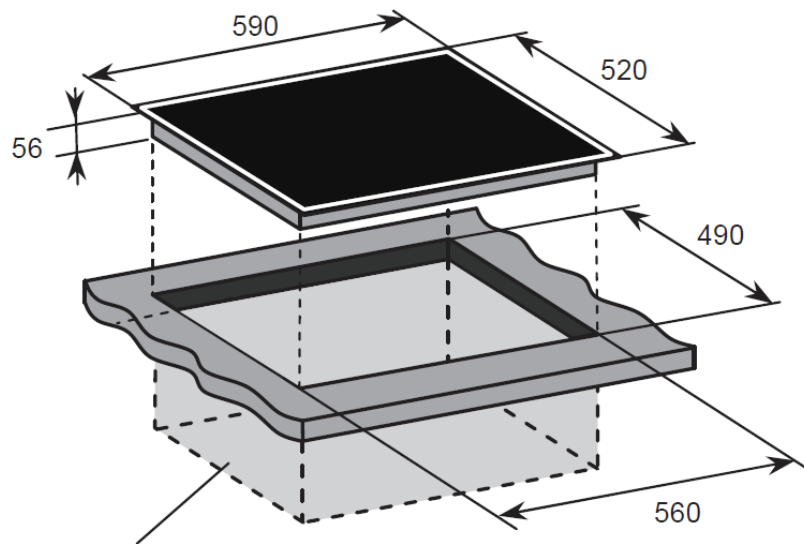
- 7.0kW 30amp - hardwired
- 220 - 240 volt/50Hz

Product Dimensions:

- 590mm (W) x 520mm (D) x 56mm (H)

Cut out Dimensions:

- 560mm (W) x 490mm (D)



The space under the hob
induction required for ventilation



IMPORTANT INSTALLATION NOTE

When installing Electric / Induction cooktops above a cupboard opening or set of drawer drawers a heat shield is required. Induction cooktops will also require a heat barrier in the middle to ensure less transfer of heat from front to back of cooktop

Refer to our website for installation requirements